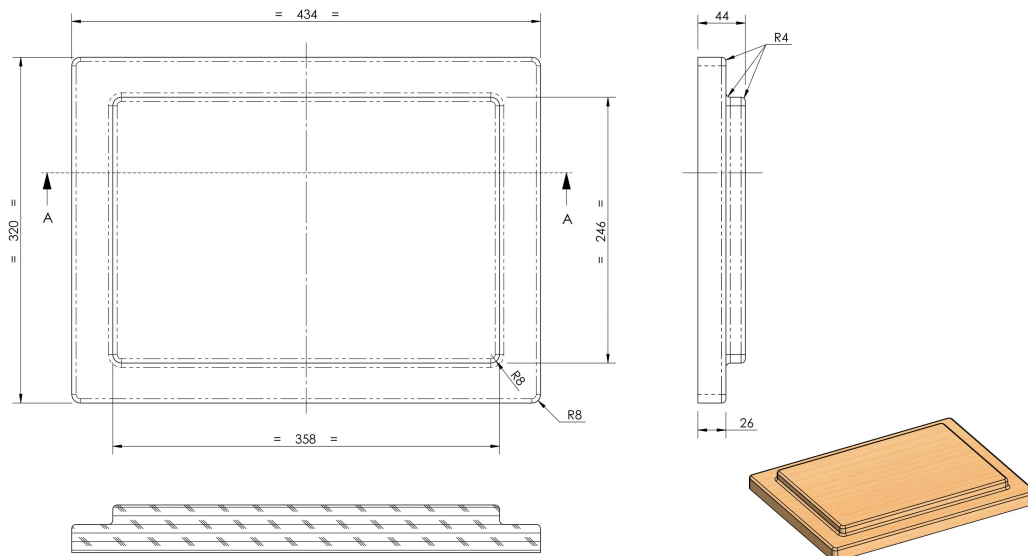


CUSTOMER DATA SHEET - SINKS

SALES CODE: AE302

DESCRIPTION: Chopping Board



| PRODUCT DIMENSIONS (mm) | | |
|-------------------------|------------|------------|
| Height (mm) | Width (mm) | Depth (mm) |
| 44 | 434 | 320 |

| PRODUCT DIMENSIONS (inch) | | |
|---------------------------|--------------|--------------|
| Height (inch) | Width (inch) | Depth (inch) |
| 1.7 | 17 | 12.5 |

| INNER BOWL DIMENSIONS (mm) | | |
|----------------------------|------------|------------|
| Height (mm) | Width (mm) | Depth (mm) |
| N/A | N/A | N/A |

| INNER BOWL DIMENSIONS (inch) | | |
|------------------------------|--------------|--------------|
| Height (inch) | Width (inch) | Depth (inch) |
| 0 | 0 | 0 |

| PACKAGING DATA | | | |
|-------------------|----------------|--------------|---------------|
| Packaging Options | Standard | Box Qty | 1 |
| UPC/cUPC | Not Applicable | Gross Wgt Kg | 0 |
| UPC/cUPC Number | N/A | Barcode | 5056211884118 |

| PRODUCT DETAILS | | | | | |
|-------------------|----------------|-----------------|----------------|-------------|----------------|
| Country of Origin | Utd.Arab.Emir. | Number of Bowls | 0 | Overflow | Not Applicable |
| Product Material | Beech | Flute Size | N/A | Outlet Size | N/A |
| Colour | Beech | Rebate Size | N/A | Template | Not Applicable |
| Waste Type Req'd | Not Applicable | Care Guide | Not Applicable | Extras | Chopping Board |